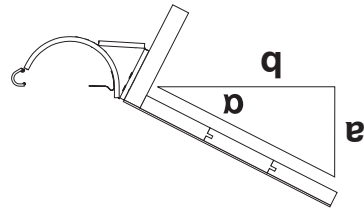
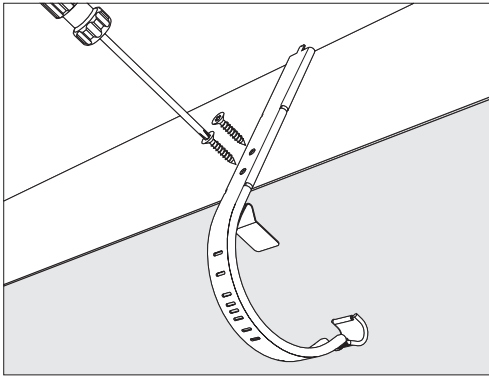


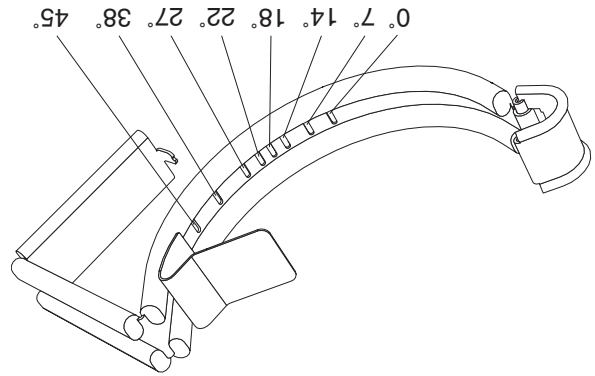
3.



1	∞	1
1	8	7°
1	4	14°
1	3	18°
1	2.5	22°
1	2	27°
1	1.25	38°
1	1	45°
a	b	a



2.



1.

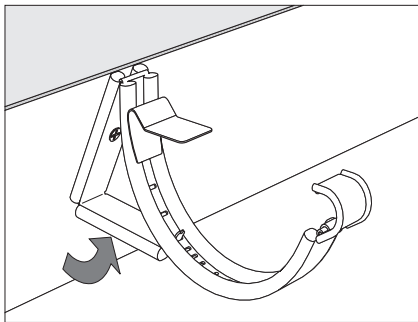


www.lindab.com

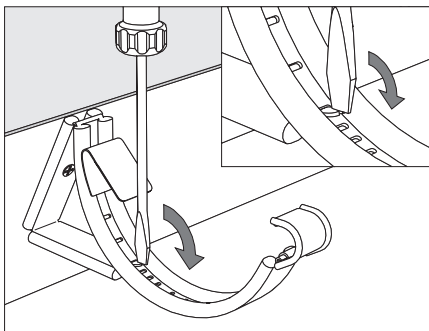
lindab rainline | assembly instruction

lindab rainline | assembly instruction

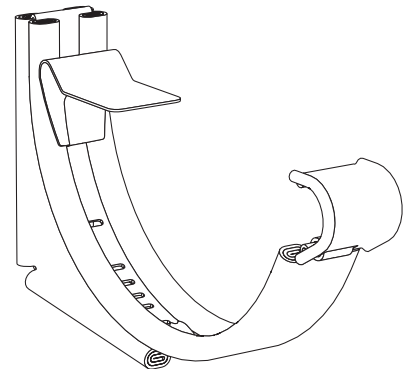
4.



5.



SSK



Lindab Profil AB

SE-269 82 Båstad
Phone +46 431 850 00
Fax +46 431 851 50



www.lindab.com